



Tri-Lock BG/BF™  
Bag-In/Bag-Out  
HEPA Housing

# Tri-Lock BG/BF™

## Bag-In/Bag-Out Housing

### FEATURES

- For containment of bio-hazards
- Utilize bag-in/bag-out system to change filters
- Available in either gasket seal or gel seal
- Factory assembled
- Available in 304, 304L, 316 stainless steel or aluminized steel
- Heavy duty construction
- Optional prefilter section
- Seal welded
- Tested up to 10 "W.G.
- Large list of options

### APPLICATIONS

Tri-Lock BG/BF™ are designed for use in environments that contain hazardous materials. Some specific applications include:

- Pharmaceutical
- Food processing industry
- Industrial process exhaust
- Genetic research
- Hospital isolation areas
- Microelectronics
- Radio isotope handling
- Research laboratories
- Veterinary research
- Government facilities

### DESIGNED FOR CRITICAL APPLICATIONS

Tri-Lock BG/BF™ are HEPA bag-in/bag-out air filter housings designed for critical applications. These housings bring safety to applications that require containment of potentially hazardous materials or where protection of maintenance personnel changing the air filters is needed.

The housings utilize the bag-in/bag-out system of changing filters that isolates personnel and the surrounding environment from exposure by use of a PVC bag enclosure system. Tri-Lock BG/BF™ also feature a heavy-duty design that is essential for the demanding and critical clean-air applications that require HEPA filtration.

### CONSTRUCTION

A factory assembled, one-piece unit, each Tri-Lock BG/BF™ housing is manufactured to meet end-user requirements. The housings are constructed from 304 stainless steel as standard. 304L or 316 stainless steel, or aluminized steel are each available as an option. All seams are seal welded to insure leak-free construction.

### FILTERS

Tri-Lock BG/BF™ can house either gasket or gel-seal HEPA filters, and an optional prefilter section is available to accommodate 2", 4" or 6"-deep prefilters. Tri-Lock BG/BF™ housings are also available to hold carbon adsorbers for the removal of hazardous molecular contamination.

Filters are securely sealed in place using Tri-Dim's true HEPA-locking mechanism that reduces the potential for air bypass.



### KEY COMPONENTS

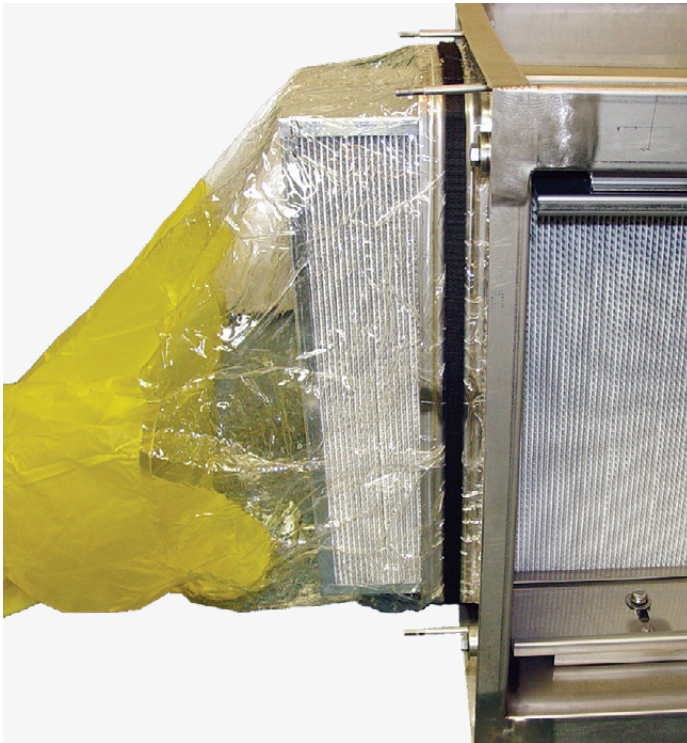
Tri-Lock BG/BF™ features hand-torqued door latches that provide a positive pressure door-to-housing seal, as well as simplify filter servicing. The housings come with a factory-installed flange that is suitable for connection to either ductwork or the air handler system.

The bag-in/bag-out filter change system uses an 8-mil polyvinyl chloride bag that is attached to the ribbed access port. The standard PVC bag contains three glove sections, so contaminated filters can be easily and safely removed and bagged.

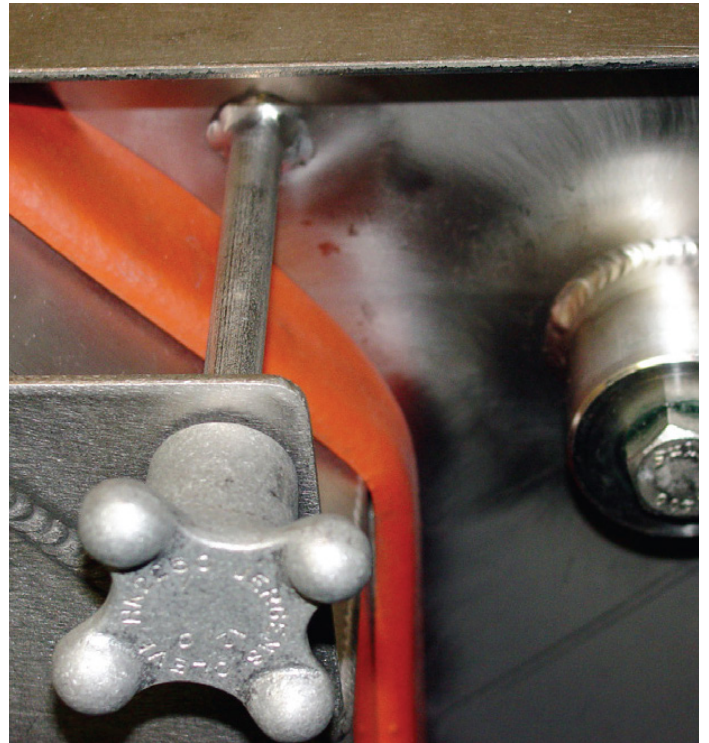
All Tri-Lock BG/BF™ housings are tested in accordance with ANSI/ANSE-N510-1995 for pressure decay up to  $\pm 10$ " W.G. to assure you a leak free housing.



# Tri-Lock BG/BF™ Options and Filters



Tri-Lock bag-in/bag-out housing with PVC bag in place



Close-up of the door latch and gasket-seal locking mechanism

## TRI-LOCK BG/BF™ OPTIONS

- Drain
- Drilled flanges
- Lifting lugs
- Silicone door gasket
- Photohelic gauge
- Magnehelic gauge
- DOP ports
- Bolt sections in series
- Prefilter section only
- Double wall insulation
- Filter support shelf
- High temperature
- Door gasket
- NEMA 4 cover
- Welded sections in series
- Adsorber section (16 or 18")
- Bag kit
- Nameplate
- Static taps
- Transitions
- Special sizes

## TRI-PURE™ HEPA & HEPAMAX™

Tri-Dim offers a full line of HEPA filters to meet your application demands. These include both standard capacity HEPA filters, which are rated at 250 FPM; and high capacity HEPAMAX™ filters rated at 500 FPM.

Tri-Dim offers both versions in gasket or gel seal variants, particleboard or metal-frame construction, and high temperature models to correspond with your requirements.

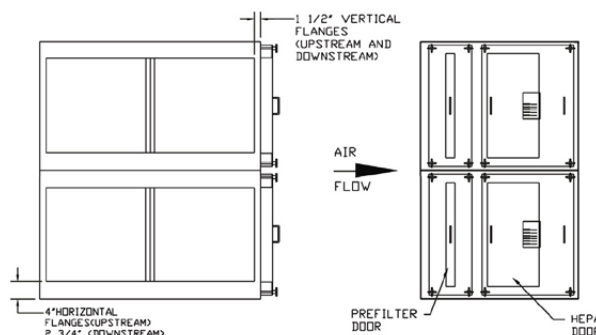
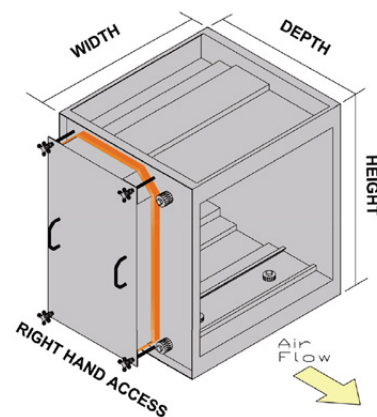
Varying levels of efficiency and testing methods are available starting at 99.97% @ 0.3 microns. Please contact your local sales representative or local office for more information on Tri-Dim's Tri-Pure™ HEPA and HEPAMAX™ filters.

# Tri-Lock BG/BF™

## Technical Data

### SPECIFICATIONS

		UNIT WIDTH			
		1	2	3	
UNIT HEIGHT	1	Capacity	2,000 CFM	4,000 CFM	6,000 CFM
		Dimensions	29¾ x 27"	29¾ x 51"	29¾ x 75"
		No. Filters	1	2	3
		Face Area	4 sq. ft.	8 sq. ft.	12 sq. ft.
	2	Capacity	4,000 CFM	8,000 CFM	12,000 CFM
		Dimensions	59½ x 27"	59½ x 51"	59½ x 75"
		No. Filters	2	4	6
		Face Area	8 sq. ft.	16 sq. ft.	24 sq. ft.
	3	Capacity	6,000 CFM	12,000 CFM	18,000 CFM
		Dimensions	89¼ x 27"	89¼ x 51"	89¼ x 75"
		No. Filters	3	6	9
		Face Area	12 sq. ft.	24 sq. ft.	36 sq. ft.



### NOTES

**Capacity** is reported in CFM at a flow rate of 500 FPM

**Dimensions** are reported in exact size in inches and Height x Width

**Number of filters** are reported in quantity and exact dimensions of 24 x 24"

**Face area** is reported as face area of air filters - exact size in square feet

**Standard housing depths** relative to filter depth: no prefilter = 24"; 2"-thick prefilter = 36½"; 4"-thick prefilter = 36½"; 6"-thick prefilter = 36½"

**Custom depths, and special and half size units** are also available

Tri-Dim Filter Corporation is committed to continual product development - all descriptions, specifications and performance data are subject to change without notice. Tri-Dim products are manufactured to exacting criteria - there can be a ±5% variance in filter performance.

### LOCAL REPRESENTATIVE